

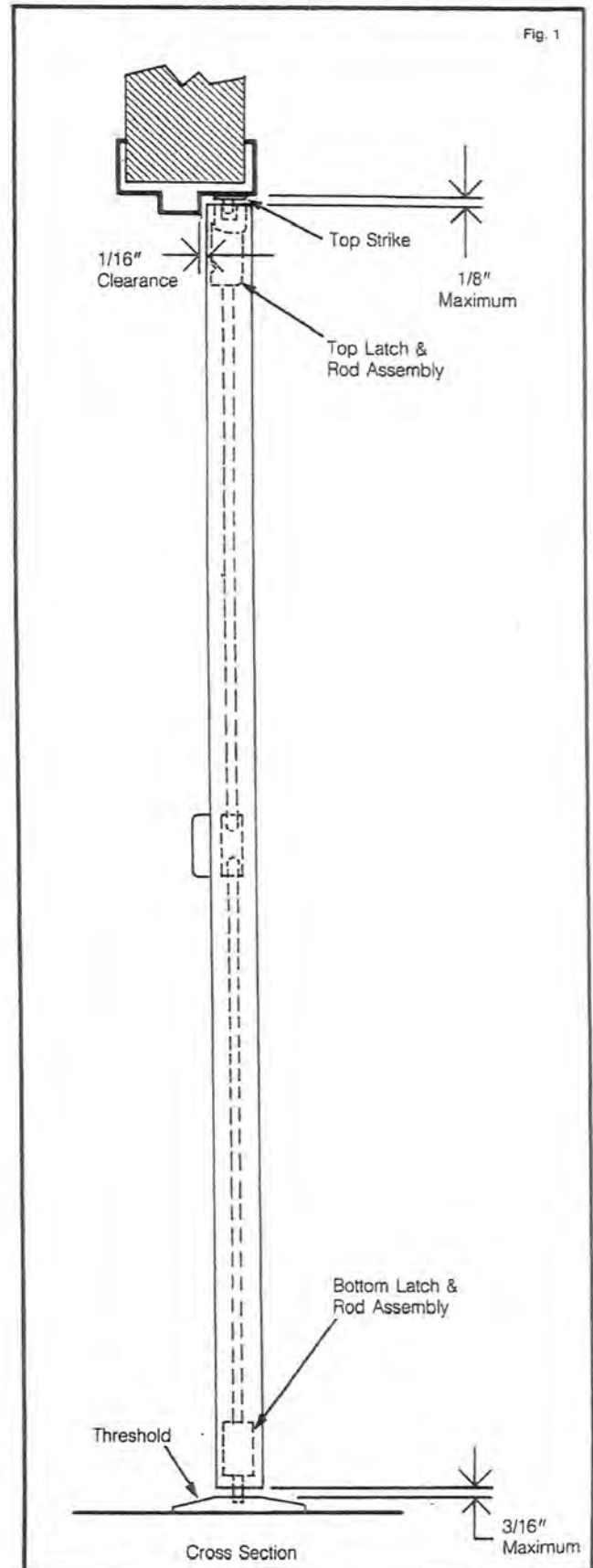
1390 Mid-Panel Exit Device Service Manual

Inspection Checklist

1. Check clearances around door.
 - A. Between door and top strike.
 - B. Between door and threshold.
2. Check alignment of top strike and top latch.
3. Check alignment of bottom latch and hole in threshold.
4. Check door in closed and locked position.
 - A. Can it be forced open?
 - B. When the exit device is used do top and bottom rods retract fully and stay retracted?
 - C. Does exit device push easily and reset upon closing?
5. Check door in open and unlocked position.
 - A. Are rods fully retracted?
 - B. With exit device dogged open, does top latch move freely?
6. Check lock cylinder.
 - A. Is cylinder too deep?
 - B. Is cylinder too large?
7. Check dogging function.
 - A. Does exit device dog down?
 - B. Does dogging key fit and work?

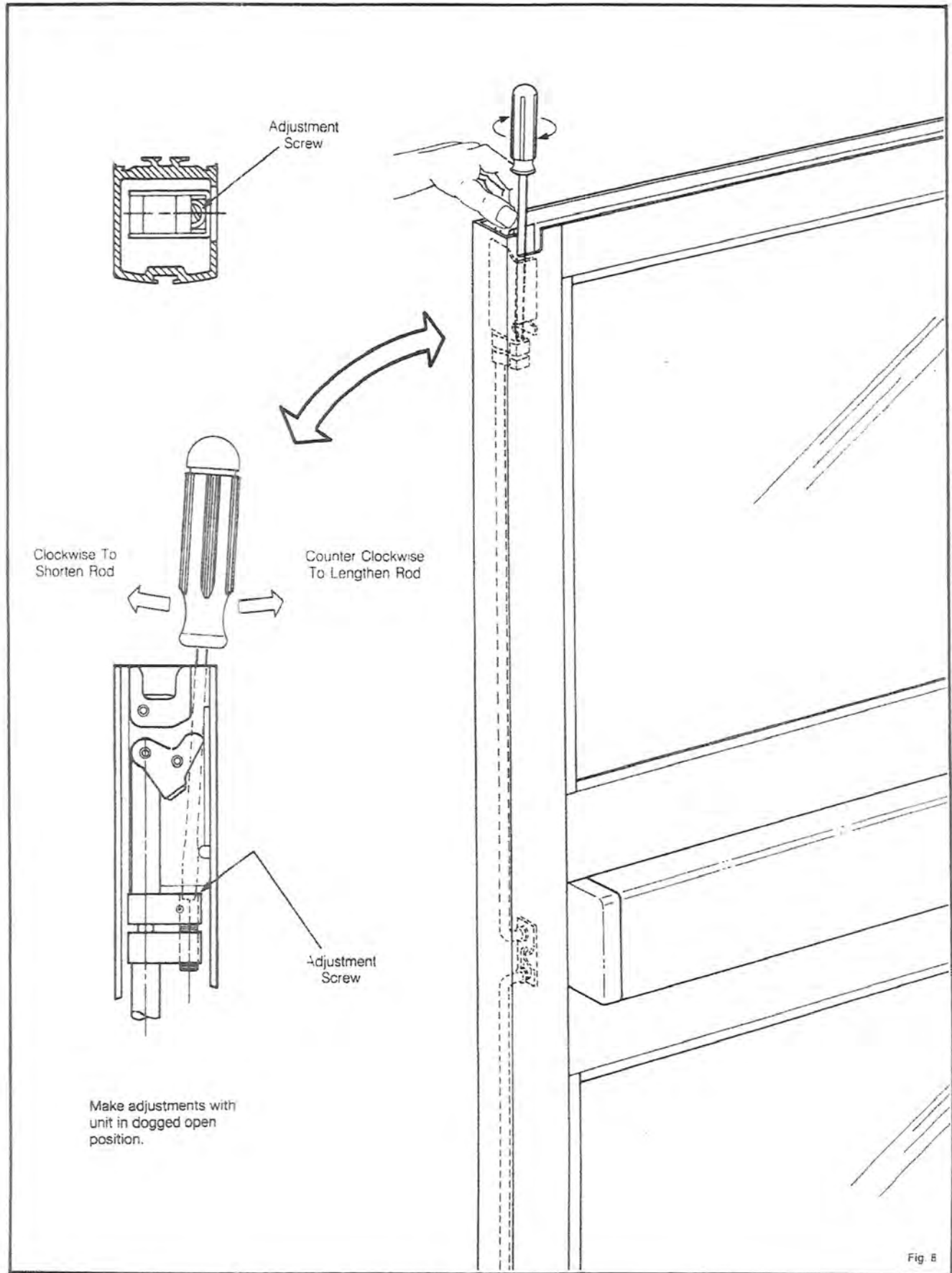
Important Notice

Many of the problems that occur in the field can be solved by correcting clearances around the door and setting the jamb strike and bottom hole cut outs in the correct location. Begin by using the illustrations in this book to check clearances and correct as necessary.

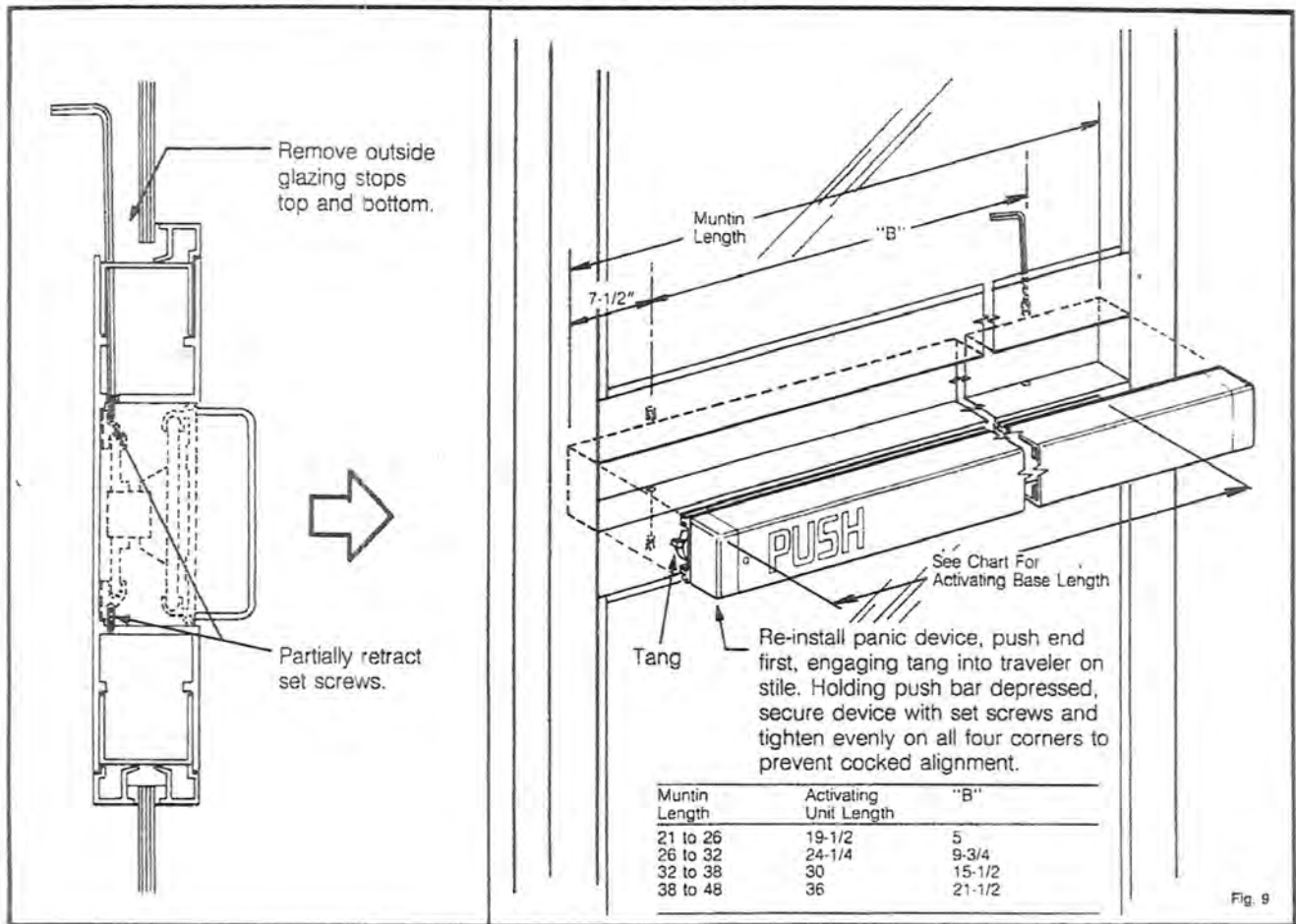


DOR-O-MATIC®

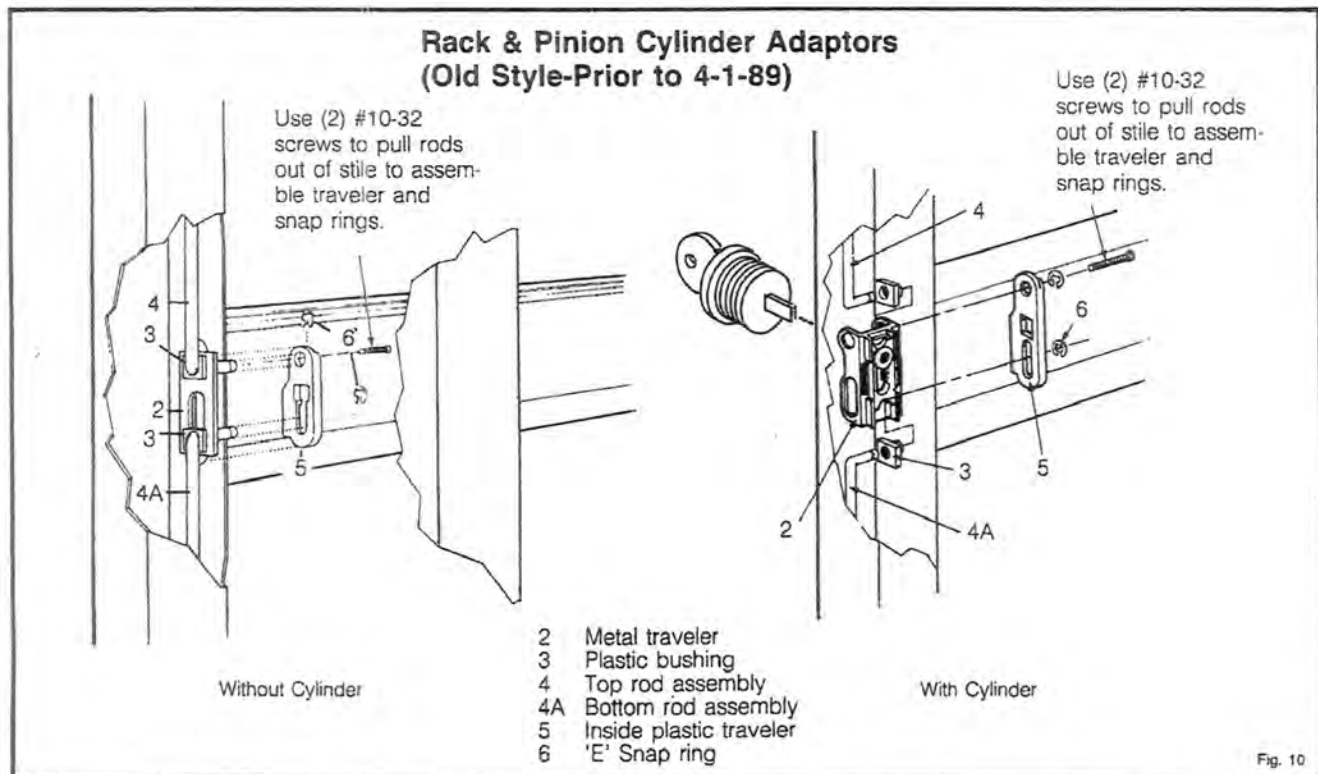
Top Rod Adjustment



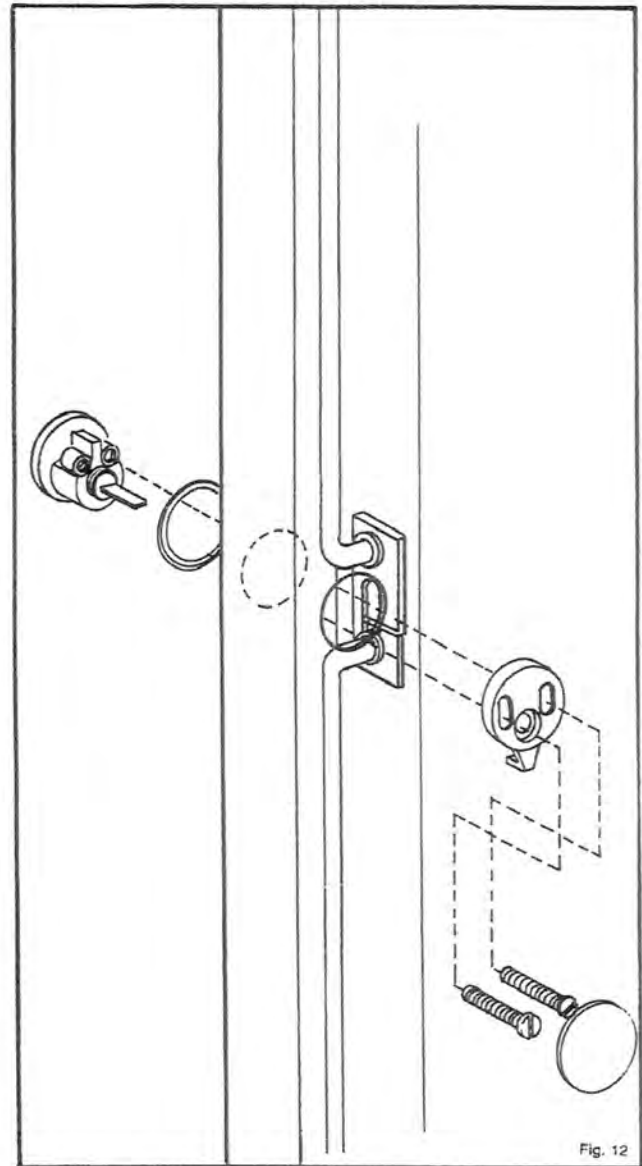
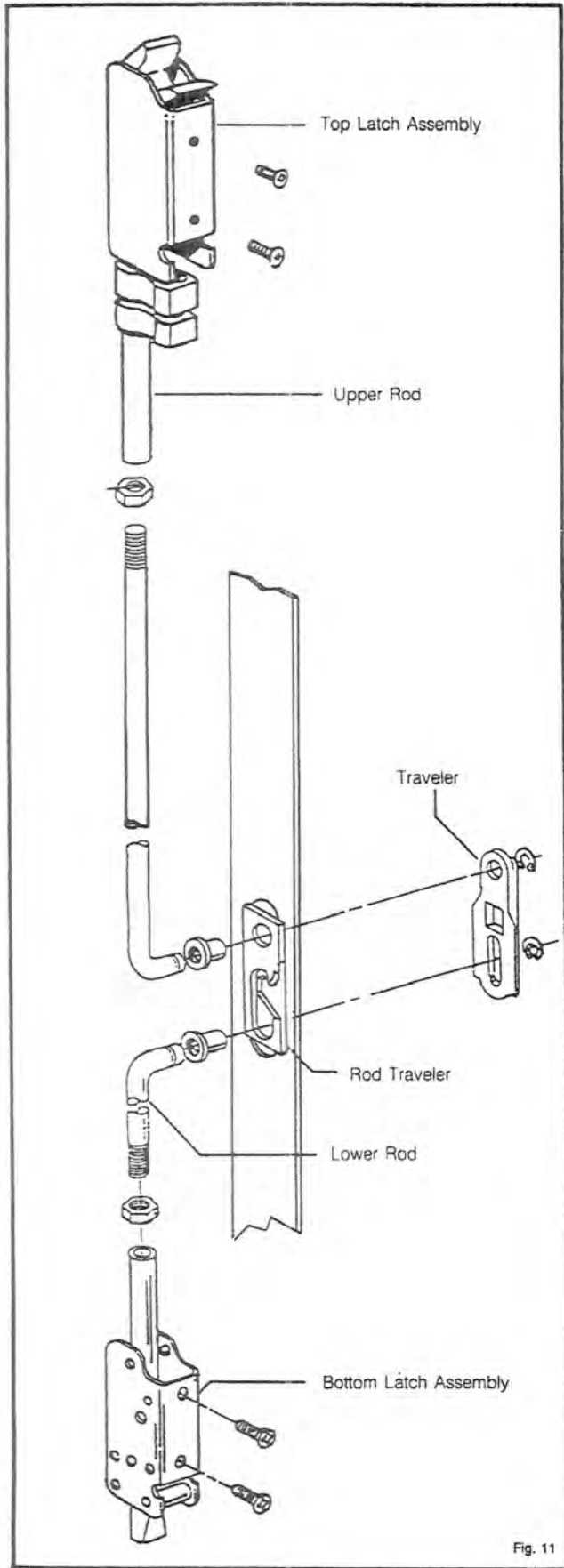
Removing The Exit Device (Old Style-Prior to 1-1-90)



Rack & Pinion Cylinder Adaptors (Old Style-Prior to 4-1-89)

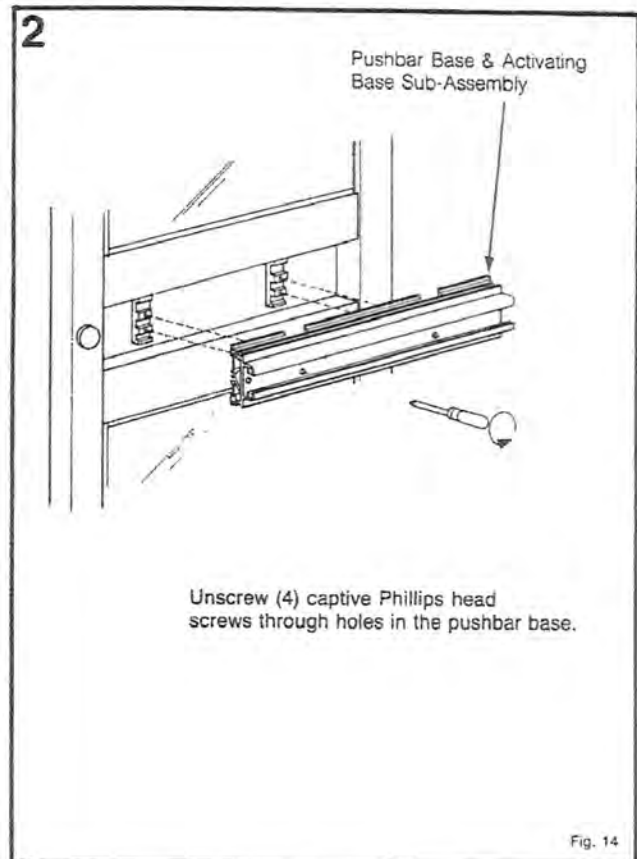
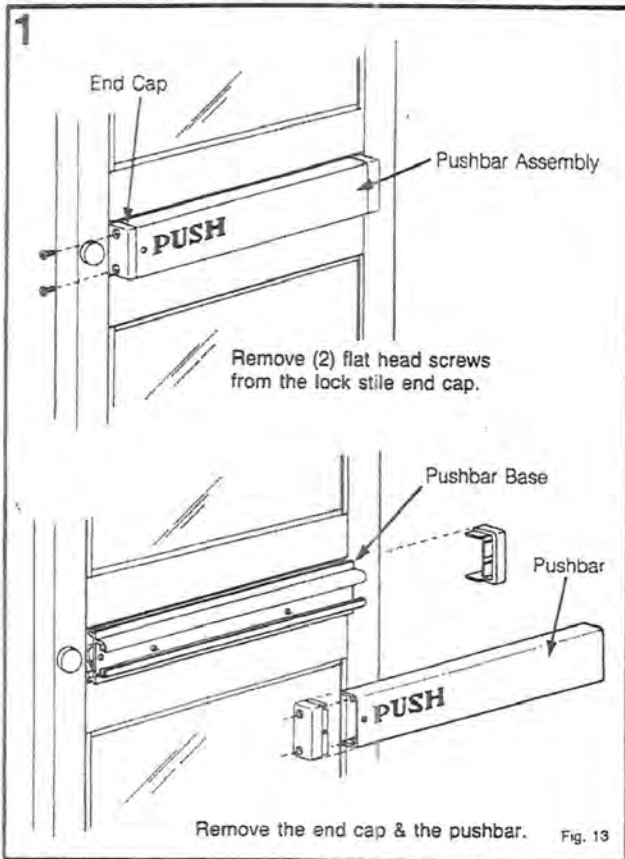


**Latch & Rod Assemblies (New Style)
For Exit Device with Removable End Caps**

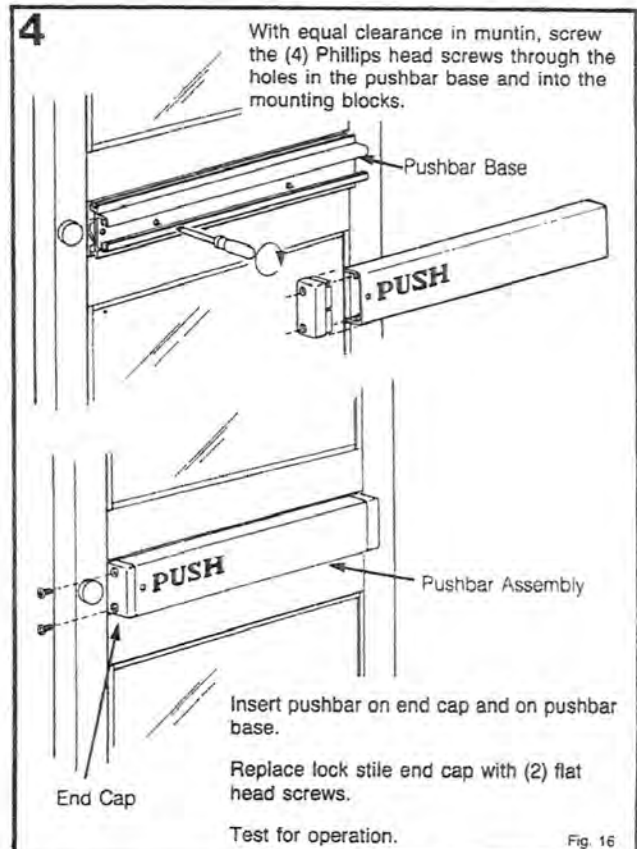
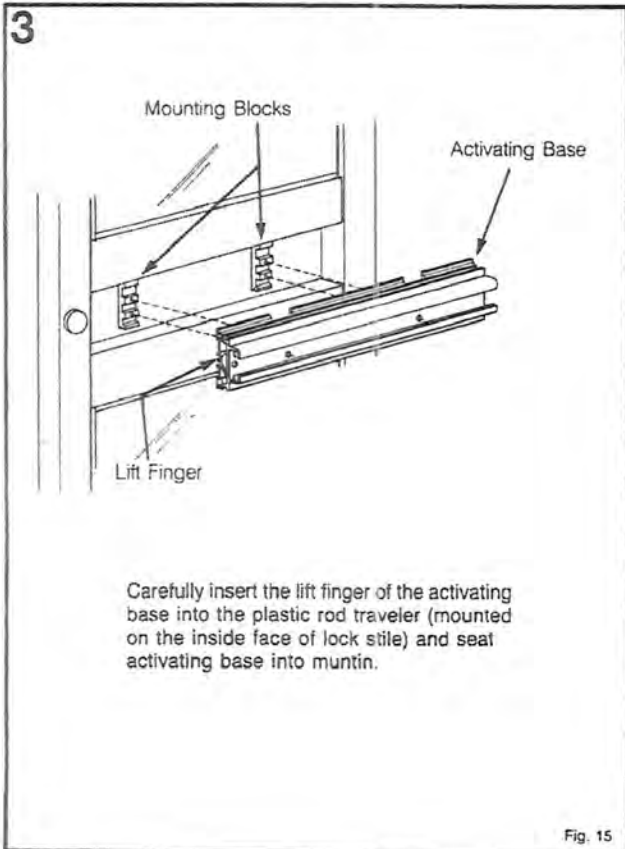


**Cam Cylinder Assembly
(New Style)**

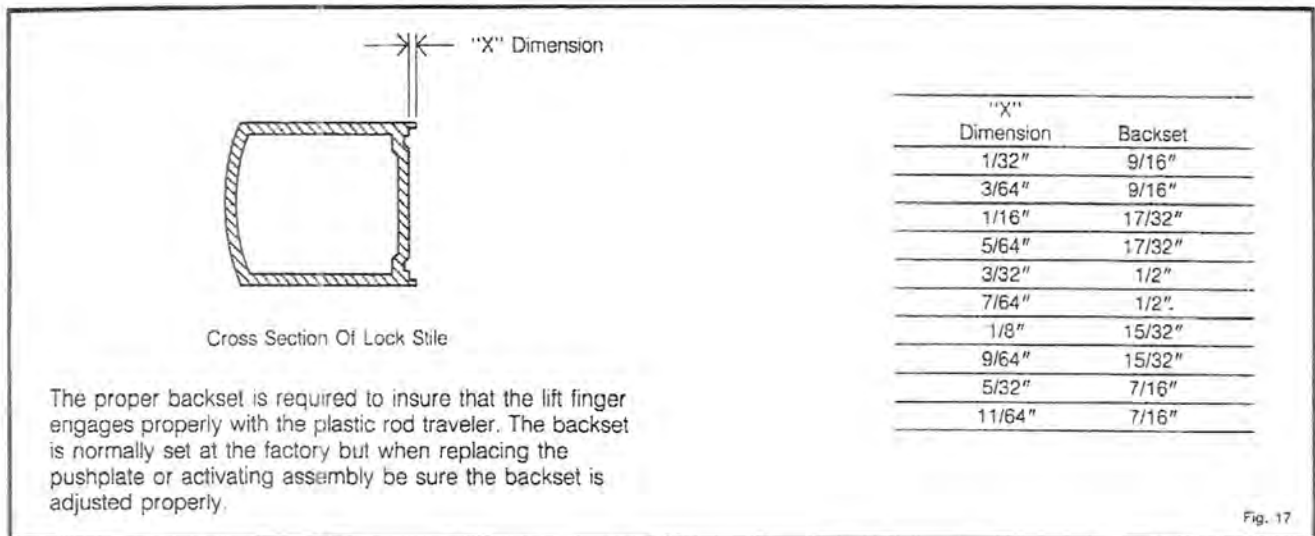
After Factory Installation, The Pushbar Assembly May Be Removed Without Removing The Glass Or The Glass Stops.



Pushbar Re-Assembly



Determining Proper Backset



Adjusting For Proper Backset

